



STANDARD FEATURES

- Swing-away arms
- Trendelenburg
- Vanity panel selection †
- Selection of back style **A** or **B**
- Side table (choice of black fold-away or pivot)
- Retractable foot tray
- Push handle
- Wall-hugger mechanism (infinite recline positions)
- Quick-release seat
- Black 4" dual thermoplastic casters

† Not available with Tuxedo style

ALŌ RECOVERY

The Alō is an exceptional choice for premium treatment spaces and is now available in a lower working height to accommodate the majority of patient seating needs.

Additionally, high-performance silicone material has been added to the Alō portfolio as a standard covering selection.

Encompassing the majority of seating needs in the acute or clinical space, the Alō can help create a welcoming and unified visual space for your next healthcare project.

STANDARD COVERINGS

All standard covering selections are Greenguard certified



‡ Iridescent sheen

* Colors available for embossing

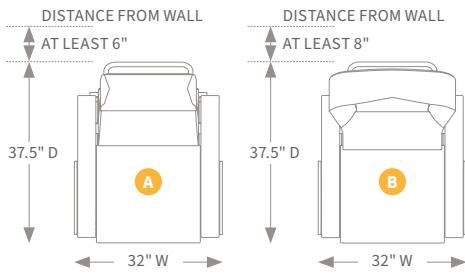
NEW POLY/SILICONE BLEND COVERINGS

Swatches in development, color and pattern may vary

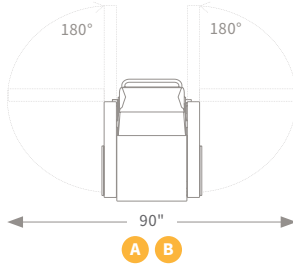


SPACE REQUIREMENTS

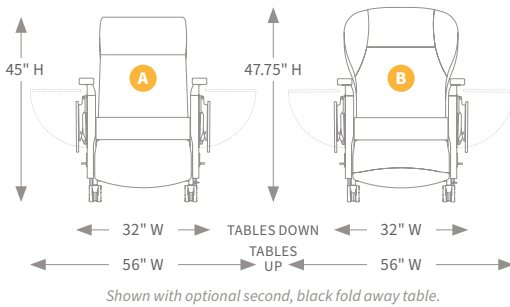
TOP VIEW



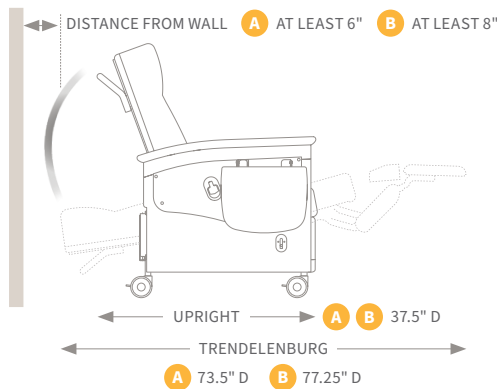
TOP VIEW WITH SWING-AWAY ARMS



FRONT VIEW



SIDE VIEW



BODY OPTIONS

Heat + massage	USB charging port (right side only)
Heat only	Articulating tablet arm
Black arm caps	Central-locking casters
Dual-hand control (power models only)	Second side table
Articulating TV/monitor mount	IV pole (2 prong, 4 prong)

◇ Additional charges apply.



Heat + massage



USB charging port



Black arm caps

COVERING UPGRADES

- PVC-free material
- Graded-in material selections
- Customer's own material (COM)



COM

SPECIFICATIONS

	A 610L 61PL	B 63PL
Power recline		✓
Manual recline	✓	
Weight capacity	300 lbs	300 lbs
Back style	Straight	Wingback
Back height (from floor/seat)	45"/26.75"	47.75"/29.5"
Overall width	32"	32"
Seat width	22.75"	22.75"
Seat height/depth	19.875"/20.5"	19.875"/20.5"
Arm height (from floor, highest point)	29"	29"
Upright overall depth (with handle)	37.5"	37.5"
Dual thermoplastic casters (diameter)	4"	4"
Clean & simple vanity panel style	✓	✓
Embossed vanity panel style †	✓	✓
Two-tone vanity panel style †	✓	✓
Tuxedo style	✓	✓

† Not available with Tuxedo style

champion.

TSK PRODUCTS

12 Windsor Drive Eatontown NJ 07724 | sales@tskproducts.com | 732-982-1090